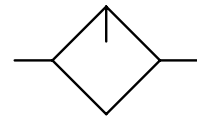


# COMPRESSED AIR LUBRICATOR SERIES "D", UP TO 30 BAR

LD

<b>Description</b>	Good value aluminium compressed air lubricator of solid design lubricating in proportion to flow rate.
<b>Bowl</b>	metal version with or without sight glass
<b>Operating pressure</b>	max. 16 bar for metal bowl with sight glass max. 30 bar for metal bowl without sight glass
<b>Temperature range</b>	-20 °C to 60 °C / -4 °F to 140 °F for metal bowl with sight glass -30 °C to 80 °C / -22 °F to 176 °F for metal bowl without sight glass
<b>Material</b>	Body: aluminium Bowl: aluminium or zinc die-cast Elastomer: NBR/Buna-N



G<sup>1</sup>/<sub>8</sub> up to G2

Dimensions			Bowl	Flow	Operating	Connection	Order	A*
A	B	C	Design	rate	pressure	thread	number	
mm	mm	mm	made of/with	l	m <sup>3</sup> /h*1	l/min*1	max. bar	G

## Lubricator series "D"

LD

40	161	115	metal/sight glass	0.05	36	600	16	G <sup>1</sup> / <sub>8</sub>	LD-01M
			metal	0.05			30		LD-01N
40	161	115	metal/sight glass	0.05	40	660	16	G <sup>1</sup> / <sub>4</sub>	LD-02M
			metal	0.05			30		LD-02N
64	215	137	metal/sight glass	0.18	144	2400	16	G <sup>3</sup> / <sub>8</sub>	LD-03M
			metal				30		LD-03N
64	215	137	metal/sight glass	0.18	156	2600	16	G <sup>1</sup> / <sub>2</sub>	LD-04M
			metal				30		LD-04N
130	248	176	metal/sight glass	0.50	420	7000	16	G <sup>3</sup> / <sub>4</sub>	LD-06M
			metal				30		LD-06N
130	248	176	metal/sight glass	0.50	480	8000	16	G1	LD-08M
			metal				30		LD-08N
241	248	176	metal/sight glass	0.50	540	9000	16	G1 <sup>1</sup> / <sub>4</sub>	LD-10M
			metal				30		LD-10N
241	248	176	metal/sight glass	0.50	600	10000	16	G1 <sup>1</sup> / <sub>2</sub>	LD-1AM
			metal				30		LD-1AN
215	316	223	metal/sight glass	1.20	1620	27000	16	G1 <sup>1</sup> / <sub>2</sub>	LD-12M
			metal				30		LD-12N
215	316	223	metal/sight glass	1.20	1680	28000	16	G2	LD-16M
			metal				30		LD-16N



LD-01M/-02M



LD-03M/-04M



LD-06M/-08M

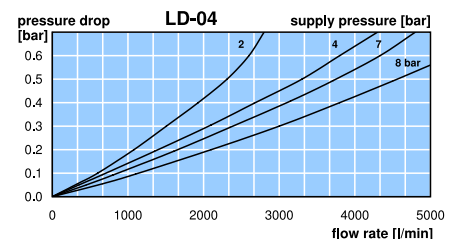
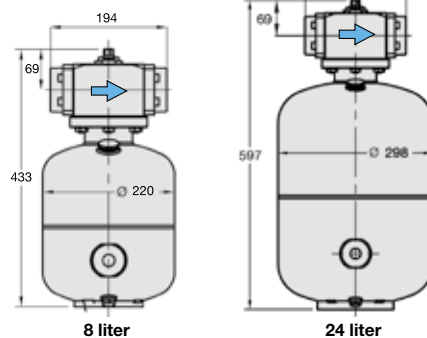
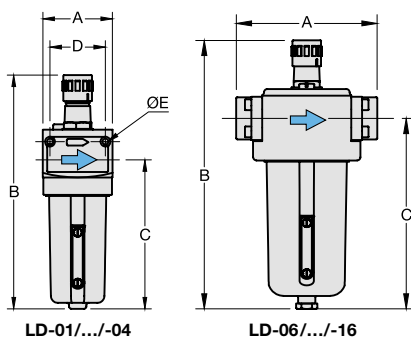


LD-12M/-16M

## Special options, add the appropriate letter

8 liter bowl	made of stainless steel, max. 30 bar	for G1 <sup>1</sup> / <sub>2</sub> (12) and G2	LD- 1.M08
24 liter bowl	made of stainless steel, max. 30 bar	for G1 <sup>1</sup> / <sub>2</sub> (12) and G2	LD- 1.M24

Type	D	Ø E
LD-01/02	30	4.5
LD-03/04	51	5.5



\*1 at 7 bar operating pressure and 0.33 bar pressure drop

Extensions: see chapter for FRL service units

PDF CAD  
www.aircom.net



Order example:  
LD-01M

Lubricator



18